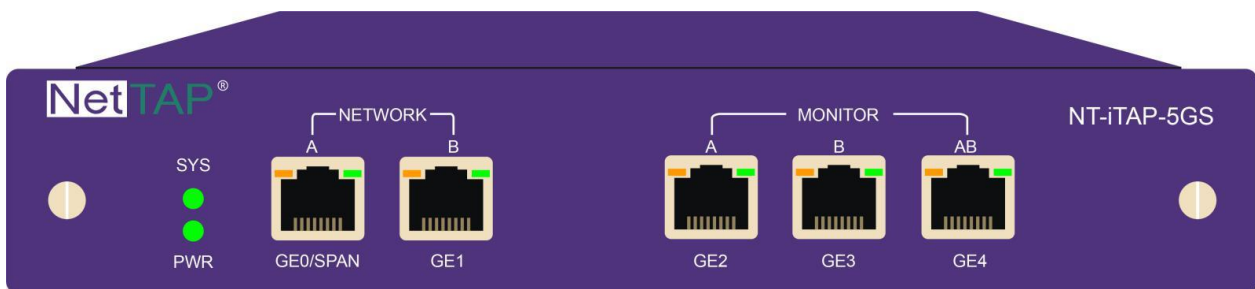
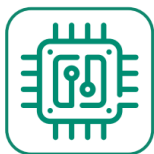


It is designed for your GE Network Smart Monitoring and Security applications.

1- Overviews



2- Features



ASIC Chipset



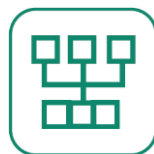
RJ45 GE Acquisition



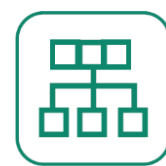
Smart Bypass



Data Replication

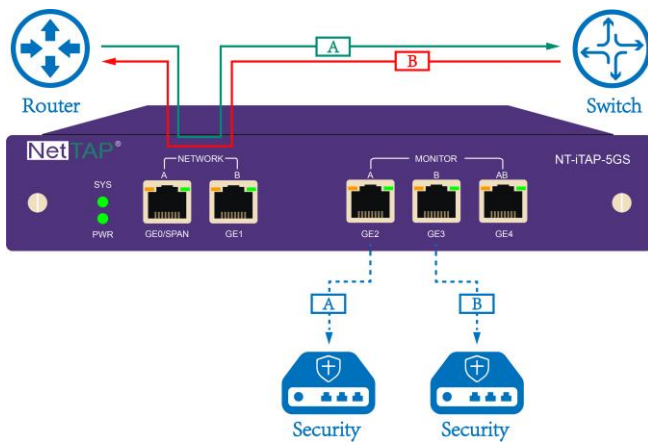


Data Aggregation

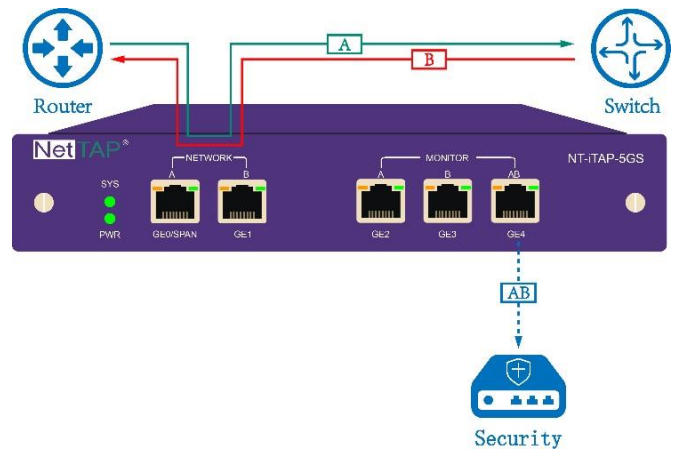


Data Distribution

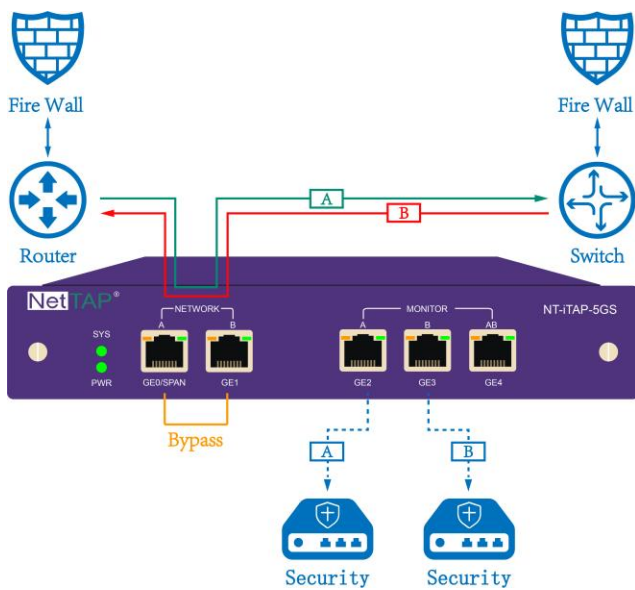
3- Application Structures



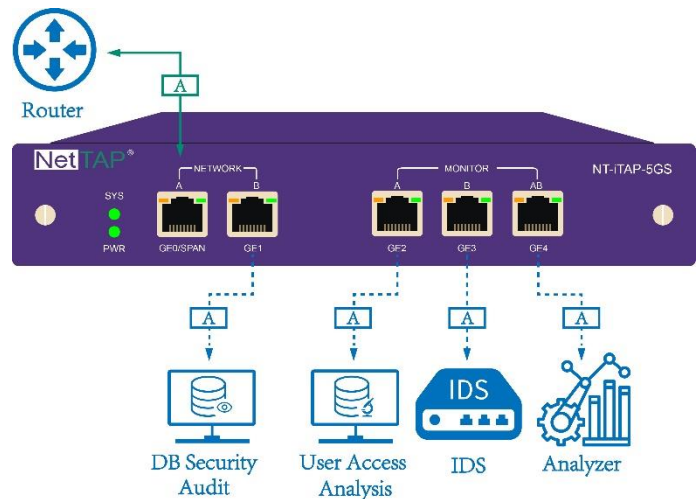
3.1- Inline Data Monitor(I type)



3.2- Inline Data Aggregation (I type)



3.3- Bypass(I type)

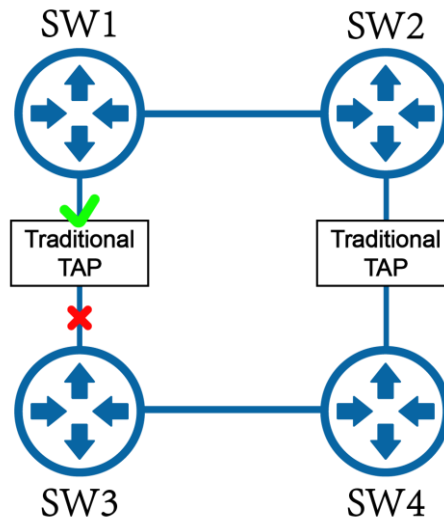


3.4- Data Replication (I & S type)

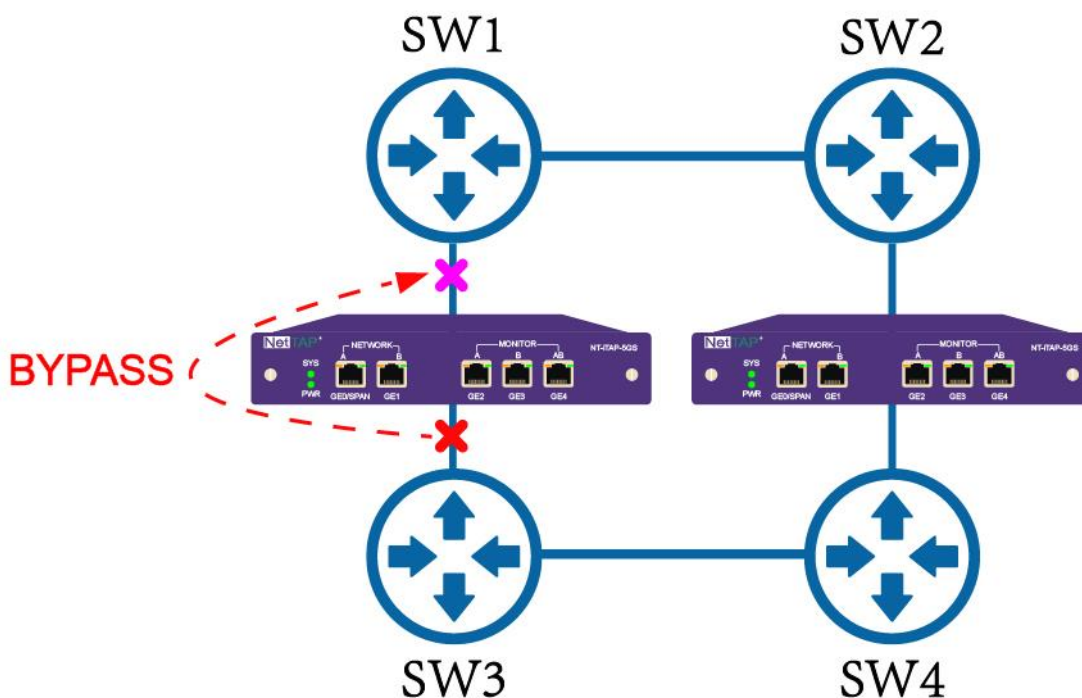
4- Intelligent BYPASS (does not Affect the Link Transmission)

NT-iTAP-5GS/I built-in smart BYPASS module can support not only on the power and electric automatic BYPASS switch without delay, and has a unique port state monitoring technology to provide the consistency of the uplink and downlink port Link state guarantee, to meet your network equipment redundancy protocol (such as dynamic routing protocol OSPF routing) can be quickly detected correctly neighbor equipment state changes, to achieve the effect of rapid convergence.

Inline Traditional TAP:



The Traditional TAP cannot quickly reflect to the uplink port state when the downlink link fails (such as link loss), so it takes a long time to switch the traffic transfer redundant link between SW1 and SW3 through the discovery mechanism of the upper layer dynamic routing protocol. The network reliability and recovery time are prolonged.

NT-iTAP-5GS/I Intelligent BYPASS Technology:

NT-iTAP-5GS/I adopts Intelligent BYPASS Technology, which can timely detect and timely report the failure of port link to the uplink port in case of failure of downlink port link, and intelligently close the uplink port link so that the uplink port of SW1 can timely perceive the failure of interconnect port of SW3. It can quickly enable redundant equipment and routing mechanism to achieve the fast switching of traffic, effectively shorten the recovery time of network failure and enhance the reliability of the network.

Ease to Use

- The device is fixed with 1 Inline IN/OUT port, 2 one-way traffic monitoring ports (TX/RX respectively), and 1 traffic aggregation monitoring port. The installation can be completed according to the port panel instructions without any jumper or other complex configuration.
- Status monitoring. The device has 1 system status indicator and 1 power indicator. Each port has Link rate status indicator and LinkActivity data activity indicator, which can clearly indicate the current working status of the system.

5- Specifications

NetTAP® Network Packet Broker (NPB/TAP)		I Type	S Type
Interface Type	Network Port	GE Port(A/B)	GE Port (GE0-GE4)
	Monitor Port	GE Port(A/B/AB)	
Function	Max Ports	5 ports	5 ports
	Traffic Replication	Support 1->4	Support 1 -> 4
	Traffic Max Speed	1G	1G
	Aggregation TX/RX	Support	-
	Monitor TX/RX	Support	-
	Bypass TX/RX	Support	-
Electric	Power Supply	12V-DC	
	Frequency	-	
	Current	1A	
	Power	<10W	
Environments	Work Temperature	0—50°C	
	Storage Temperature	-20-70°C	
	Work Humidity	10%-95%, No Condensation	
Size	L(mm)*W(mm)*H(mm)	180mm*140mm*35mm	